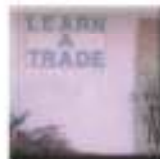


# Learn a trade

*and empower yourself.*



## information brochure



## missionstatement

Learnatrade's vision is to see unemployment levels reduced in South Africa. Our aim is to provide practical skills-based training to learners, who will use these skills to gain employment in today's job

## ourcurriculum

Learnatrade is an outcomes-based training facility accredited with the electrical SETA (ESETA). We provide training in basic Electrical skills, Electronic skills and Solar power systems. Practical implementation of these skills will be taught, in order to service and repair a wide variety of machinery and appliances, as well as

market. Learners may also acquire skills that will enable them to start their own micro-company or business.

the installation of electrical / electronic and solar powered systems. We are a very small skills training centre, able to train up to twenty learners at a time. We aim to help address the skills training imbalances of the past, but at the same time make our training available to all those who could benefit from it.

## learnatradehistory

Learnatrade grew out of a cooperation agreement in 1991 between the Clothing Industry Training Board and Kevin Burden, who was training sewing machine mechanics on a contract basis. The Chairman of the CITB suggested the name Learnatrade. As a member of APCSA, The Association of Private Colleges of Southern Africa, Learnatrade subsequently trained personnel from other industries, including Toyota and Spoornet.

From 2001, Kevin returned to England for 6 months of each year, so the courses were reduced to short part-time courses.

In January 2007, Kevin Burden met Clive Mervis who had sponsored students to learn basic skills,

including appliance repairs and TV and audio servicing, from Learnatrade. Clive and Kevin entered into an agreement whereby Learnatrade was taken over and managed as a separate division of Clive's business, Mercor Trading PTY (Ltd). Clive then developed premises in Umbilo into a skills centre. A consultant, Mark Collett, was employed to help with the accreditation of Learnatrade and after much hard work this long and arduous process came to fruition on the 15th May 2008.

Learnatrade is now an accredited service provider with the South African Qualifications Authority through the Energy Sector Education and Training Authority, ESETA.



## towards employment

South Africa has one of the highest unemployment rates in the world, and at the same time a severe skills shortage. The skills program at Learntrade aims to equip people with the necessary skills to become employed or self-employed. The need for such skills cannot be overstated, with existing skills increasingly lost to South Africa.

### SECURITY INDUSTRY

Alarm Systems, automatic entry control systems, detection systems and recognition systems.

### PARASTATALS

Learners with some electrical training will be able to apply for jobs in these organisations, e.g. junior technicians.

### SMALL BUSINESS

Most small businesses today require a technician. Learntrade graduates will have the skills required by small to medium sized businesses.

### APPLIANCE REPAIRERS

A further source of potential employers for graduates.

### ELECTRICAL/ELECTRONIC CONTRACTORS

People are always needed in this industry.

### MANUFACTURING INDUSTRY

Many different industries will require the services of skilled electrical personnel.

Learners with the basic skills offered by Learntrade and with further education should find employment in fields as diverse as, for example, the **Health Sector** and the **Construction Industry**, with **self employment** as another option. Learners with these skills can be also found in the following sectors:

### EDUCATION

Some of the Learners may decide to become Trainers themselves. In the future we will run Train the Trainer programs on a part time basis. This will enable learners to become trainers.

### NEW INDUSTRIES

With the urgent need for renewable energy sources, learners with knowledge of solar power will become invaluable.

### ELECTRONICS MANUFACTURERS

Junior technicians are now the most sought after staff members in many countries around the world.

### IT INDUSTRY

Learntrade does not offer any computer based unit standard courses, other than "Digital Electronics" at this time. However, the training offered will give the learner a good grounding for future computer-related studies.

### TV RADIO AUDIO CD, DVD SERVICING

Learners make very good assistant technicians in these companies.

## thefuture

From 2009, Learnatrade will be offering full-time courses, comprised of the Unit Standard courses listed in the enrolment form as well as other practical courses designed to meet the changing demands of industry and business.

Short full-time and part-time courses will also be offered to sponsored learners and private learners,

specific to their needs. Training in the workplace is also possible if suitable space is available.

Learnatrade is willing to train at places of learning, where the equipment for electronic teaching is limited.

## ourpremises



Learnatrade is situated at no. 11 Powys Rd, Umbilo (between Gale Street and Umbilo Road near MacDonald Road). We are 7 minutes' walk from the Durban Market area, with easy access to road and rail transport.

## learnatradeorganogram

### MANAGEMENT COMMITTEE

Mr Clive Mervis  
Mr Gary Mervis  
Mr Kevin Burden  
Mrs Annette Lee

### COURSE ASSESSORS

Mr Kevin Burden  
Miss Maria Mchunu

## Inside our **skills**centre



Here we see school age learners working with "Circuit Diagrams" and specially designed "Learntrade Workstations". These workstations operate on AC or DC Voltage from 6 to 24 volts. They are equipped with a variety of components including fuses, switches, electrical loads, relays and other devices required for various practical experiments.

Here we see a School Learner involved in building an Electronic Circuit. Attention to detail is a prerequisite to successful completion of an electronic project.

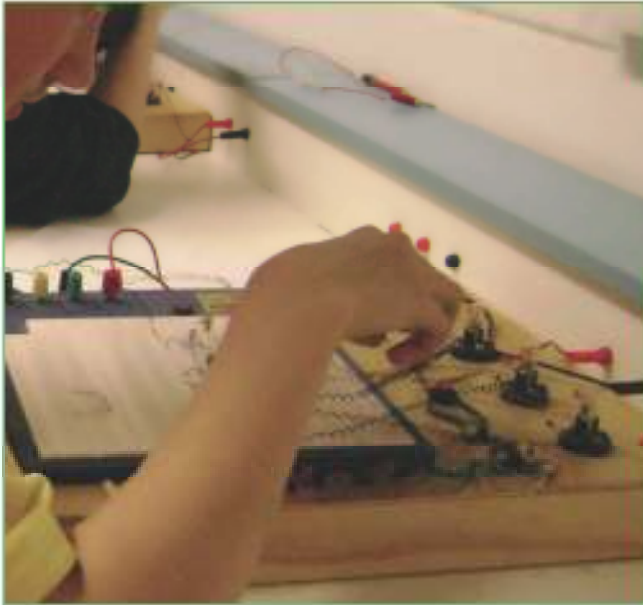




Here we see Adult learners using the same equipment, building and testing "Low Voltage" electrical circuits. You can see the workstations are connected up to the energy supply via connection leads. The workstation connection leads and a selection of hand tools become the responsibility of the learner for their sole use throughout the course on which they are enrolled.

Reading circuit diagrams both electrical and electronic is a cornerstone of Learntrade instruction. If you can read a circuit diagram, interpret it and with basic circuits build and test it, the groundwork for electrical/electronic fault-finding service and repair has begun.

Learntrade has designed its facilities around the workbenches and the workstations together with a variety of test equipment to facilitate sound practical training.



Another School Learner involved in an electronics project. This time the learner is using a larger "project board" which forms part of the workstation.

Girls as well as boys are attracted to electrics and electronics and often make very good technicians.



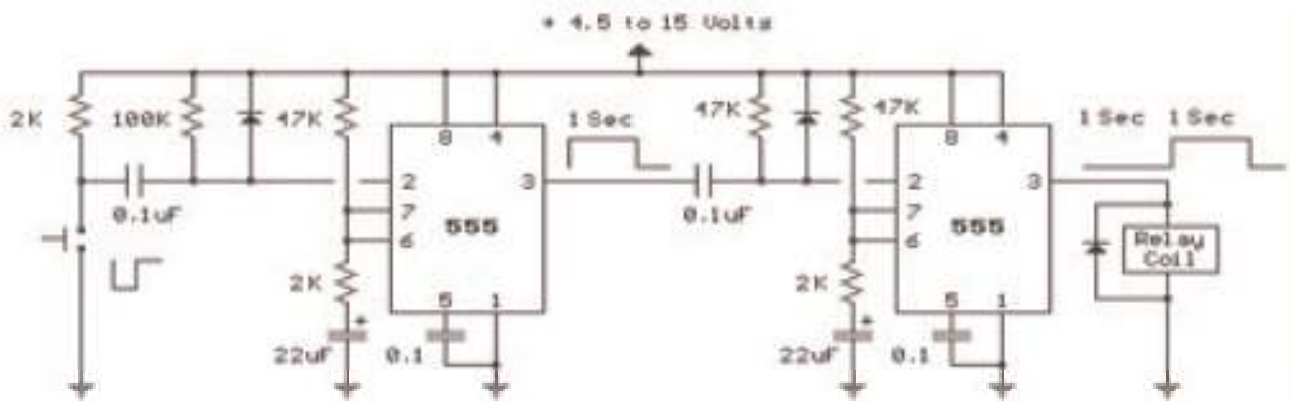


Soldering which is a method of interconnecting components together forms part of a unit-standard course Learnatrade teaches. Good soldering is so necessary when commissioning new equipment or servicing & repairing existing plant and machinery. You can see a soldering iron in the background.



The instructor working with the learners. Small white boards are often used to draw the circuit and explain certain aspects of its performance.

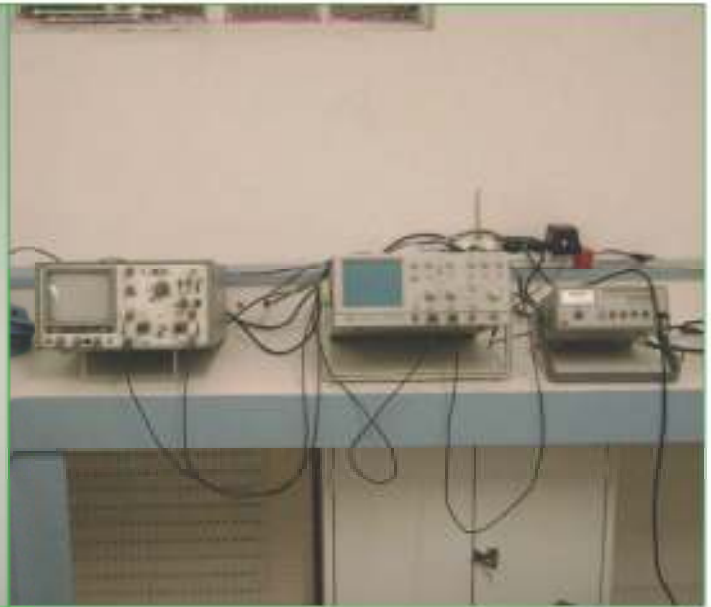




Understanding and building circuits is an everyday function at Learntrade.

Below left is a photo of an array of solar panels mounted in the workshop area. Below right is a solar powered water pump which is fully submersible.





Top left is a picture of the solar control system. Top right are the oscilloscopes and function generators.

Bottom left shows our workshop area and right shows a selection of multimeters learners need to learn how to use.





## FIRST TERM

Unit Standard 113877; [UNDERSTAND FUNDAMENTALS OF ELECTRICITY](#)

Unit Standard 119832; [CONSTRUCT & WIRE BASIC ELECTRICAL CIRCUITS](#)

## SECOND TERM

Unit Standard 113863; [APPLY SOLDERING TECHNIQUES](#)

Unit Standard 10270; [CONSTRUCT BASIC ELECTRONIC CIRCUITS](#)

Unit Standard 113871; [INSTALL & COMMISSION SOLAR WATER PUMP](#)

Unit Standard 113864; [INSPECT SERVICE MAINTAIN SOLAR WATER PUMP](#)

Unit Standard 114406; [UNDERSTAND BASIC ELECTR. THEORY & COMPONENTS](#)

## THIRD TERM

Unit Standard 113869; [FAULT FIND ON SOLAR POWERED SYSTEMS](#)

Unit Standard 116738; [DEMONSTRATE PRINCIPLES OF DOMESTIC APPLIANCES](#)

## FOURTH TERM

Unit Standard 253334; [TEST & REPLACE ELECTRONIC COMPONENTS](#)



We would like to thank you for reading about our school and we hope to see you soon!



KEVIN BURDEN

(your course facilitator and your assessor)



MARIA MCHUNU

(your course councillor)

**Learn a trade**   
*and empower yourself.*

T. +27 (0)31 3033771

C. +27 (0)84 2734374

F. +27 (0)31 3033785

kevininsouthafrica@yahoo.co.uk

POBox 35041, Northway, 4065, South Africa

Accredited to the ESETA. Accreditation No. 583/0157